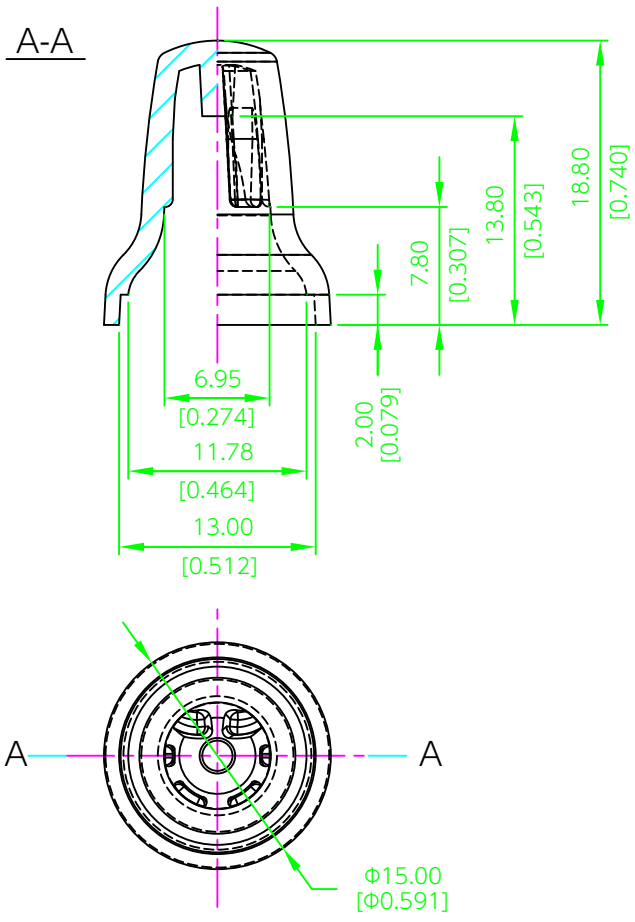


REV	DATE	WORK DETAIL	DRAW	APPROVE
001	SEP 01, 2018	Initial Release	-	-



COLOR DESCRIPTION	
COLOR	MODEL#
OFF WHITE	FNN15D20A-MEX-OW
DARK GRAY	FNN15D20A-MEX-DG
BLACK	FNN15D20A-MEX-BK

NORMAL TOLERANCES		MATERIAL	ABS	fittio		PLASTIC NOB FOR ROTARY ENCODER Nibbles Mexican 15				
Less Than 5	+/-0.10	FINISHING	NONE	DESIGN	JAN 18, 2017	-	MODEL#	FNN15D20A-MEX		
Above 5-15	+/-0.20	MOLD RELEASE AGENT	SILICONE BASED	DRAW	SEP 01, 2018	-	DOC#	D10022-001		
Above 15-50	+/-0.25	OUTSIDE SURFACE	PEAR-SKIN	CHECK	-	-	UNIT	SCALE		PAGE#
Above 50-125	+/-0.30	MANUFACTURING LOCATION	KANAGAWA-PREF JAPAN	APRV	-	-	mm [in]	2:1		